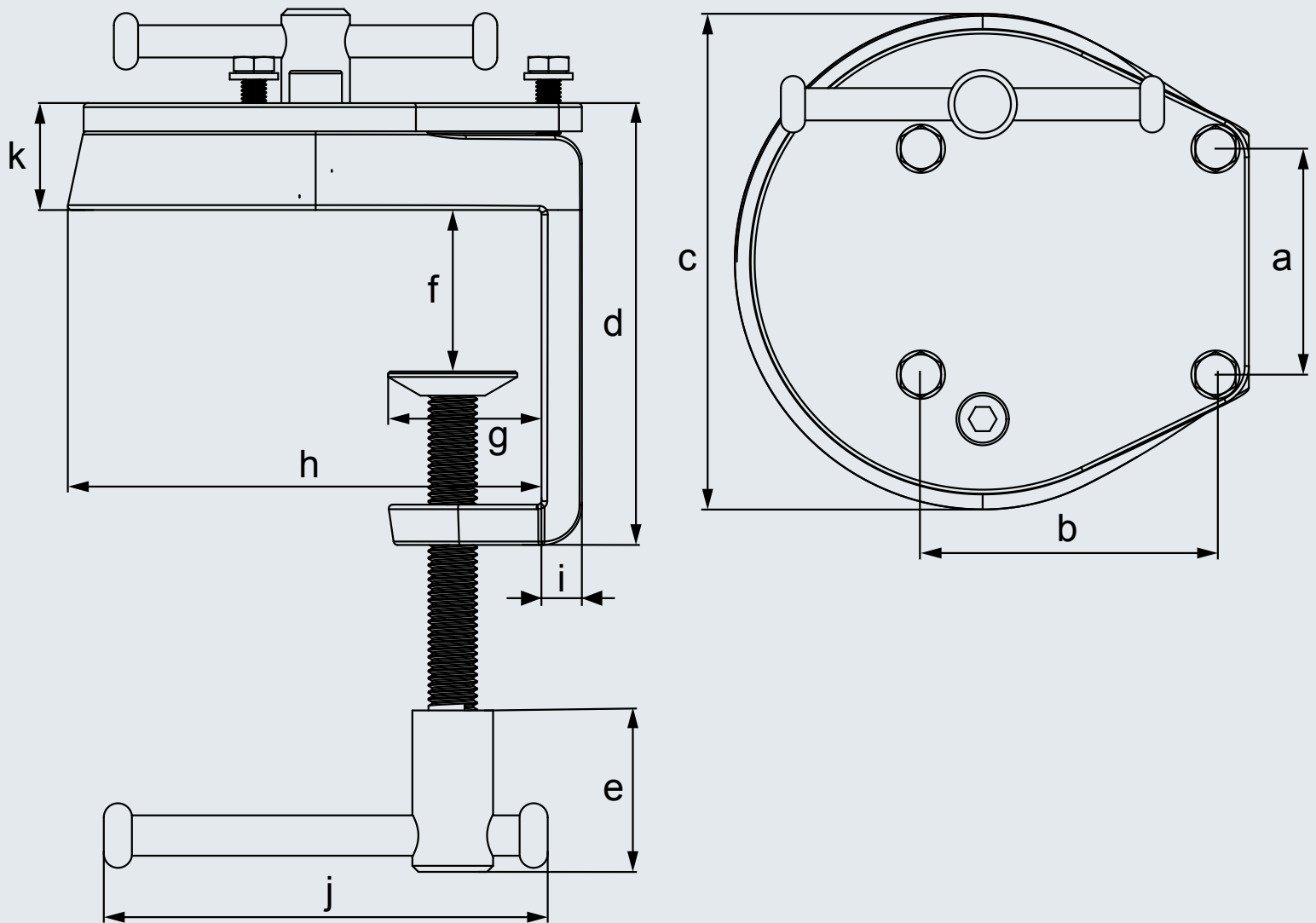


# HEUER rotary clamp



## Technical specifications:

Jaw width (mm)	a (mm)	b (mm)	c (mm)	d (mm)	e (mm)	f (mm)	g (mm)	h (mm)	i (mm)	j (mm)	k (mm)
100	56	73	123,5	109,5	40	10-60	40	118	10	110	26,5
120	76	98	156	113	40	10-60	40	150	10	110	28,5

Jaw width (mm)	Weight (kg)	Hexagonal bolt	Item No.
100	2,3	M6	119 103
120	3,4	M8	119 104

**BROCKHAUS ] HEUER**  
GmbH

Oestertalstraße 54

D-58840 Plettenberg (Germany)

Phone: +49(0)23 91 - 60 29-0

Fax: +49(0)23 91 - 60 29-29

info@heuer.de

Subject to technical modification