



NEW

New version from
model year 2021

Collapse ERGONOMICS¹

BROCKHAUS **HEUER**
GmbH

Oestertalstraße 54
58840 Plettenberg (Germany)
Phone: +49 (0) 23 91 / 60 29-0
Fax: +49 (0) 23 91 / 60 29-29
info@heuer.de
www.heuer.de



The colours shown in illustrations are not binding, deviations in colour are possible. Subject to technical modification.

HEUER Collapsible

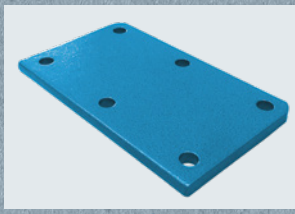
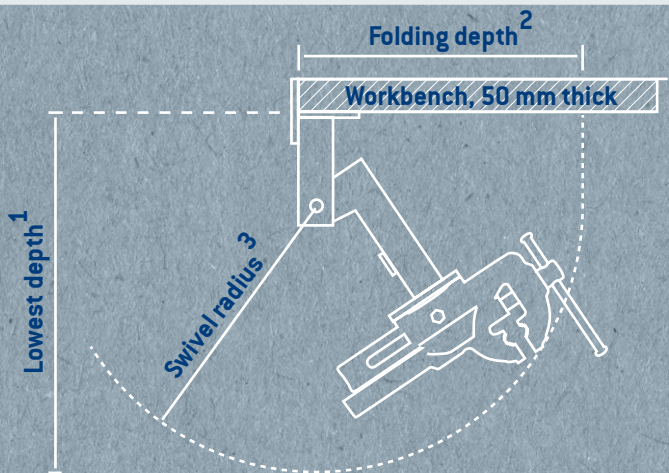
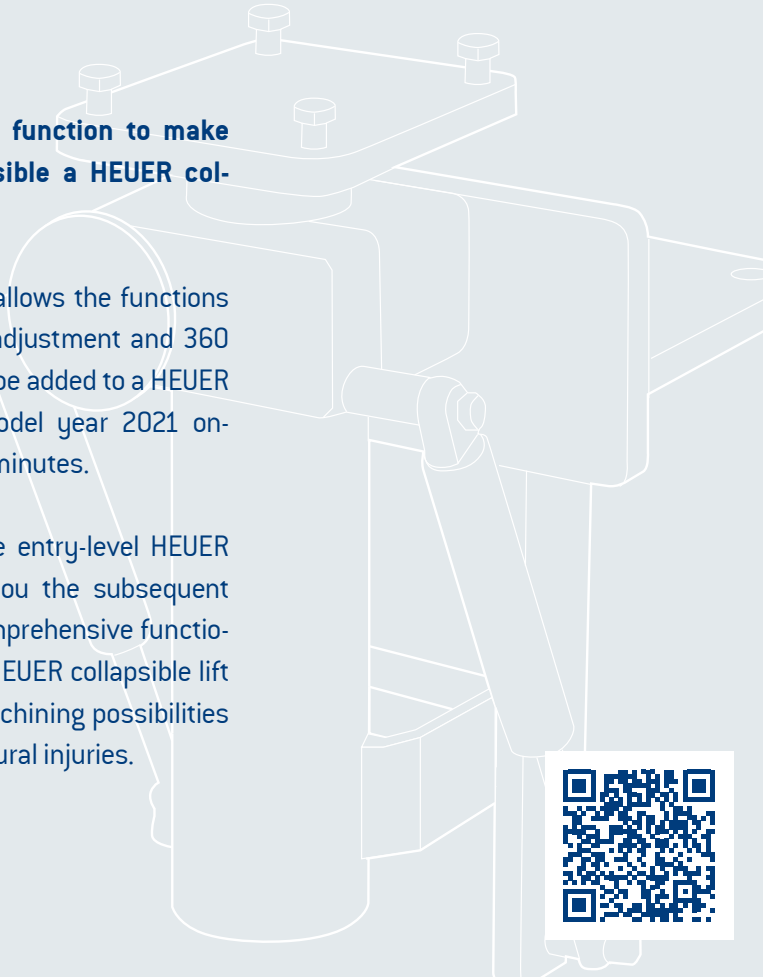
For greater workbench space.

Collapse, fold and stow. The ideal complement for the bench-vice. The HEUER Collapsible can be stowed under the workbench with ease creating extra space when not in use. The HEUER Collapsible provides an especially ergonomic solution to clustered workspaces in the workshop. In its working position, the vice is fixed sturdily to the workbench and free of any vibration.

NEW: The upgrade function to make the HEUER collapsible a HEUER collapsible lift!

The conversion kit allows the functions of 175 mm height adjustment and 360 degrees rotation to be added to a HEUER collapsible from model year 2021 onwards in just a few minutes.

Thus, the affordable entry-level HEUER collapsible offers you the subsequent option of a fully comprehensive functional extension to a HEUER collapsible lift - for even better machining possibilities and to prevent postural injuries.



Adapter plate ⁴ (10mm)

Conversion kit

Width of jaw/mm*
Lowest depth/mm ¹
Folding depth/mm ²
Swivel radius/mm ³
Item No. Collapsible
Item No. Conversion kit
Item No. Adapter plate ⁴

120	590	460	430	105 120	106 121	702 727
140	630	495	470	105 140	106 141	702 727

* Data refers to HEUER Vices.
¹ From lower edge of workbench plate
² From front edge of workbench plate
³ Around point of rotation
⁴ Adapter plate for 40 mm workbench