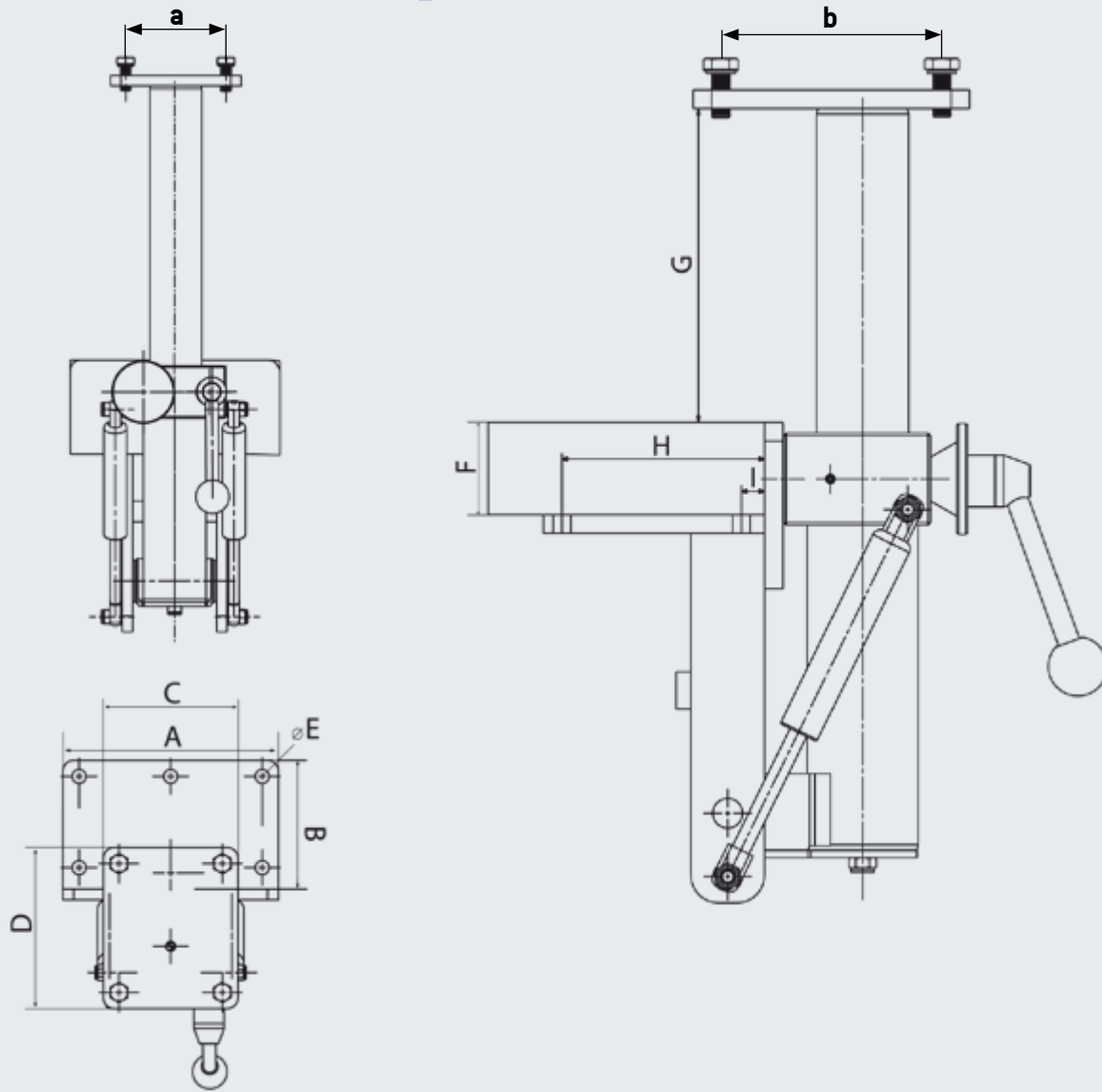


HEUER Collapsible-Lift



Technical specifications:

a (mm)	b (mm)	A (mm)	B (mm)	ØE (mm)	F (mm)	G (mm)	H (mm)	I (mm)
76	98	200	120	13	50	175	105	20

Jaw width* (mm)	Permitted Loading (kg)	Item No.	C (mm)	D (mm)
120	4 – 10	106 120	100	123
140	10 – 16	106 140	125	150

BROCKHAUS] [HEUER
GmbH

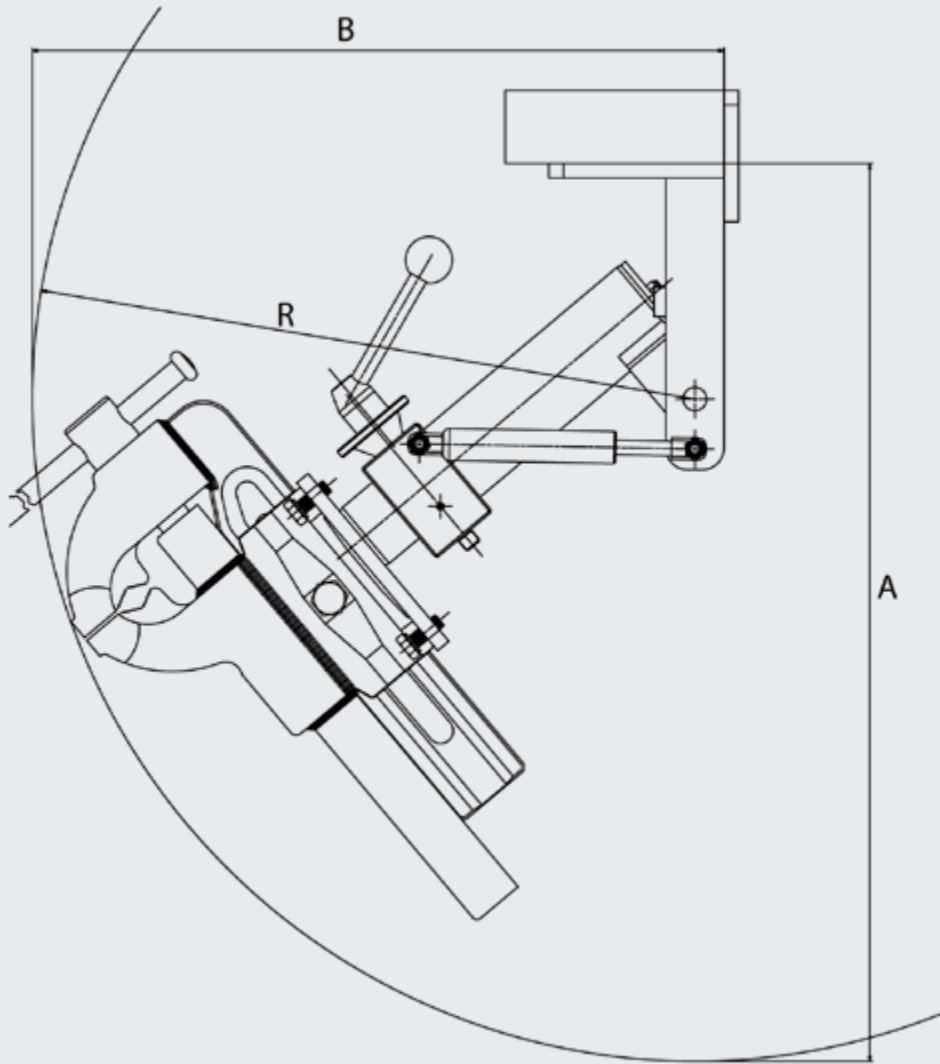
Oestertalstraße 54
 D-58840 Plettenberg (Germany)
 Phone: +49(0)23 91 - 60 29-0
 Fax: +49(0)23 91 - 60 29-29

info@heuer.de

*Details apply to HEUER vices. Also suitable for other makes provided that permitted loading weights are observed.
 When ordering please do not forget details of make and size.

Subject to technical modification

HEUER Collapsible-Lift



Technical specifications:

Jaw width* (mm)	Lowest depth (A) ¹ (mm)	Folding depth (B) ² (mm)	Swivel radius(R) ³ (mm)
120	590	460	430
140	630	495	470

Jaw width* (mm)	Gas spring force inside (N)	Gas spring force outside (N)
120	130	500
140	200	900

BROCKHAUS **HEUER**
GmbH

Oestertalstraße 54
D-58840 Plettenberg (Germany)
Phone: +49(0)23 91 - 60 29-0
Fax: +49(0)23 91 - 60 29-29

info@heuer.de

* Details apply to HEUER vices. Also suitable for other makes provided that permitted loading weights are observed.
 When ordering please do not forget details of make and size.

¹ From lower edge of workbench plate

² From front edge of workbench plate

³ Around point of rotation

Subject to technical modification